



EASY CONNECT® INSTALLATION INSTRUCTIONS

IVL627A01
10/15

QUESTIONS OR CONCERNS CONTACT CANARM AT:
1-800-265-1833 (English) • 1-800-567-2513 (French)
Monday through Friday 8:00 AM to 5:00 PM E.S.T.



INSTRUCTIONS PERTAINING TO RISK OF FIRE OR INJURY TO PERSONS
READ ALL INSTRUCTIONS

IMPORTANT SAFETY INSTRUCTIONS

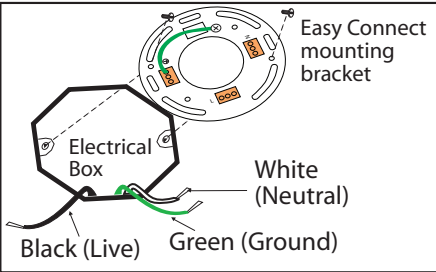
SAVE THESE INSTRUCTIONS

SAFETY PRECAUTIONS:

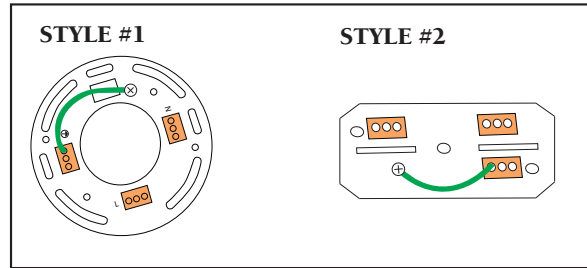
1. TURN OFF ELECTRICAL POWER BEFORE STARTING INSTALLATION OF LIGHT FIXTURE.
 2. THIS PRODUCT MUST BE INSTALLED IN ACCORDANCE WITH THE APPLICABLE INSTALLATION CODE BY A PERSON FAMILIAR WITH THE CONSTRUCTION AND OPERATION OF THE PRODUCT AND THE HAZARDS INVOLVED.
- NOTE: Product May Not Look Exactly As Shown In Figures.**

INSTALL EASY CONNECT MOUNTING BRACKET:

STEP 1

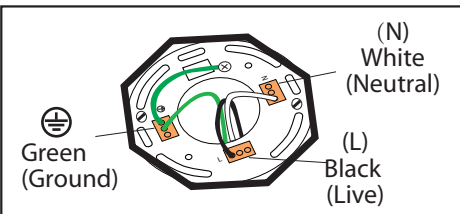


Attach easy connect mounting bracket to electrical box with electrical box screws (not included).



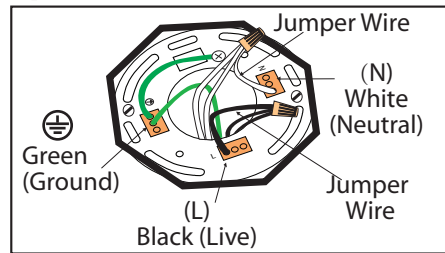
CONNECT HOUSE WIRES

STEP 2 - Option 1



Connect (push) electrical wires from electric box (house wiring) into correct inserts. Black (Live), White (Neutral), Green (Ground)

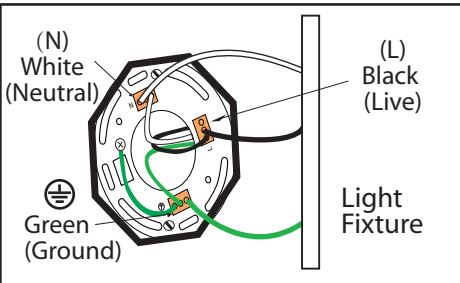
Option 2 - MULTIPLE ELECTRICAL BOX WIRES



For multiple black (live) & white (neutral) wires joined in the electrical box (house wiring), attach a single "black" and "white" Jumper Wire before connecting. Strip 7mm from a 6" Jumper Wires (AWG 12-24) supplied. Then connect (push) wires into correct inserts.

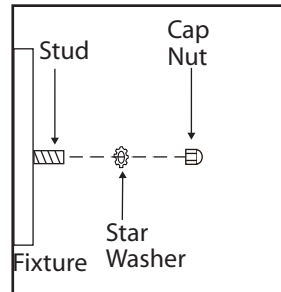
CONNECT LIGHT FIXTURE

STEP 3



Connect (push) electrical wires from fixture into correct inserts. Black (live), White (neutral), Green (ground)

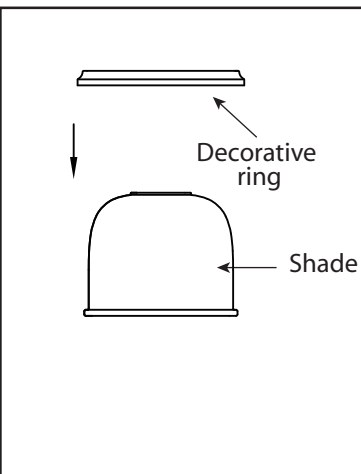
STEP 4



Tuck electrical wires into outlet box and position fixture over studs on mounting bracket assembly. Secure fixture in place with star washer(s) and cap nut(s).

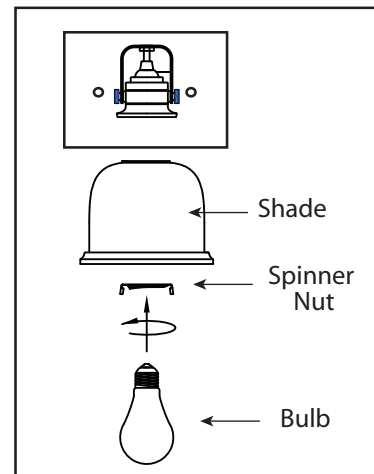
Note: If required, assemble body and spread the arms of the fixture out evenly.

STEP 5



Position the decorative ring onto the shade.

STEP 6



Remove spinner nut from socket. Position shade on lamp and secure with spinner nut.

Install specified bulb type and wattage (not included).